

**ALPHA KAPPA
LAMBDA
FRATERNITY
RENOVATION**
401 E. Daniel Street
Champaign, Illinois

Architect/Architect
RATIO Architects, Inc.
10 East Chester Street
Champaign, Illinois 61820
t: (217) 352-7833
f: (217) 352-7831

Structural Engineer
HDC Wickersheimer Engineers, Inc.
201 W. Springfield Ave., 4th Floor
Champaign, Illinois 61820
t: (217) 352-0081
f: (217) 403-3404

Mechanical / Electrical Engineer
Affiliated Engineers, Inc.
701 Devonshire Dr.
Champaign, Illinois 61820
t: (217) 365-3894
f: (217) 365-3895

**PRELIMINARY
NOT FOR
CONSTRUCTION**

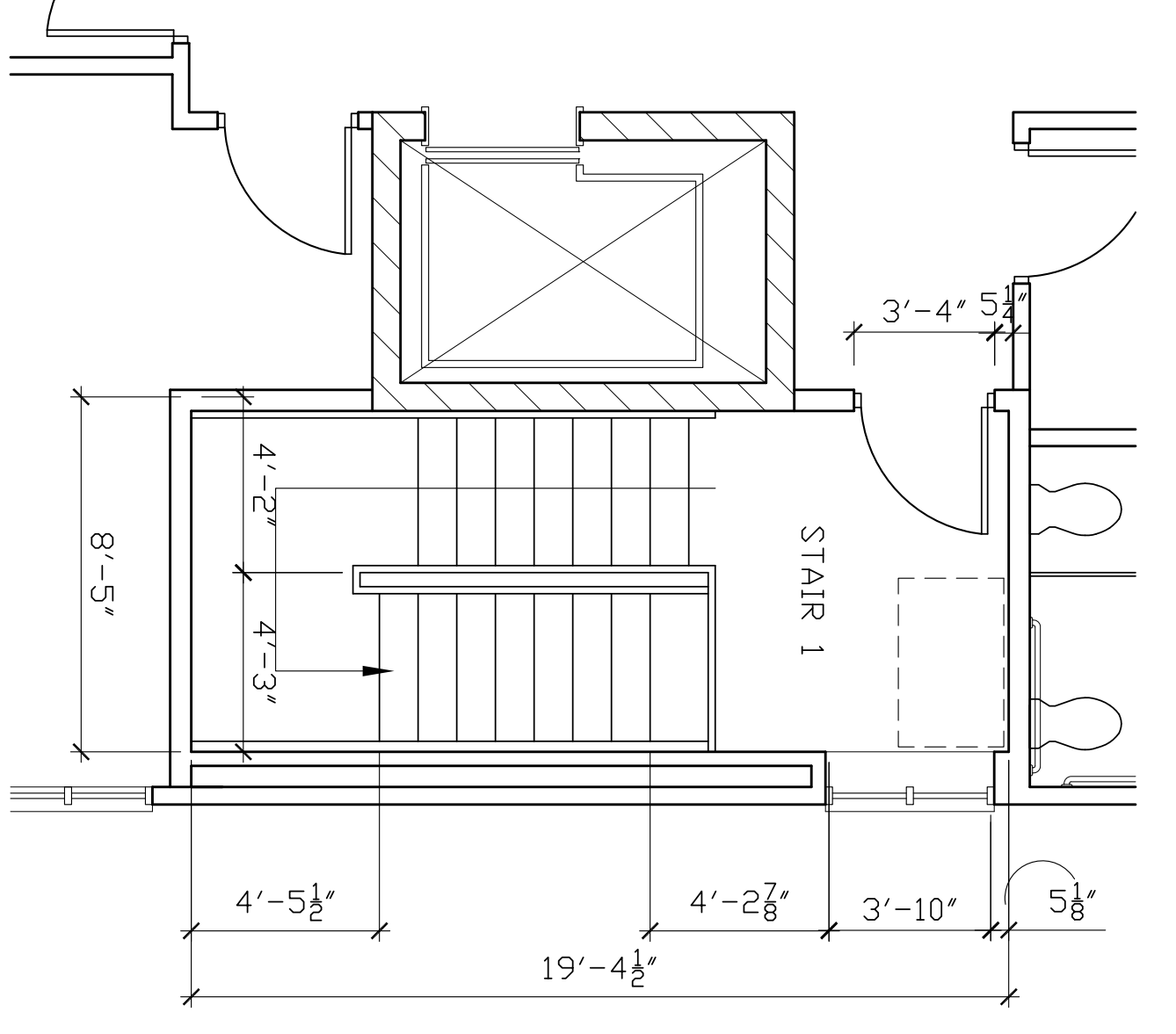
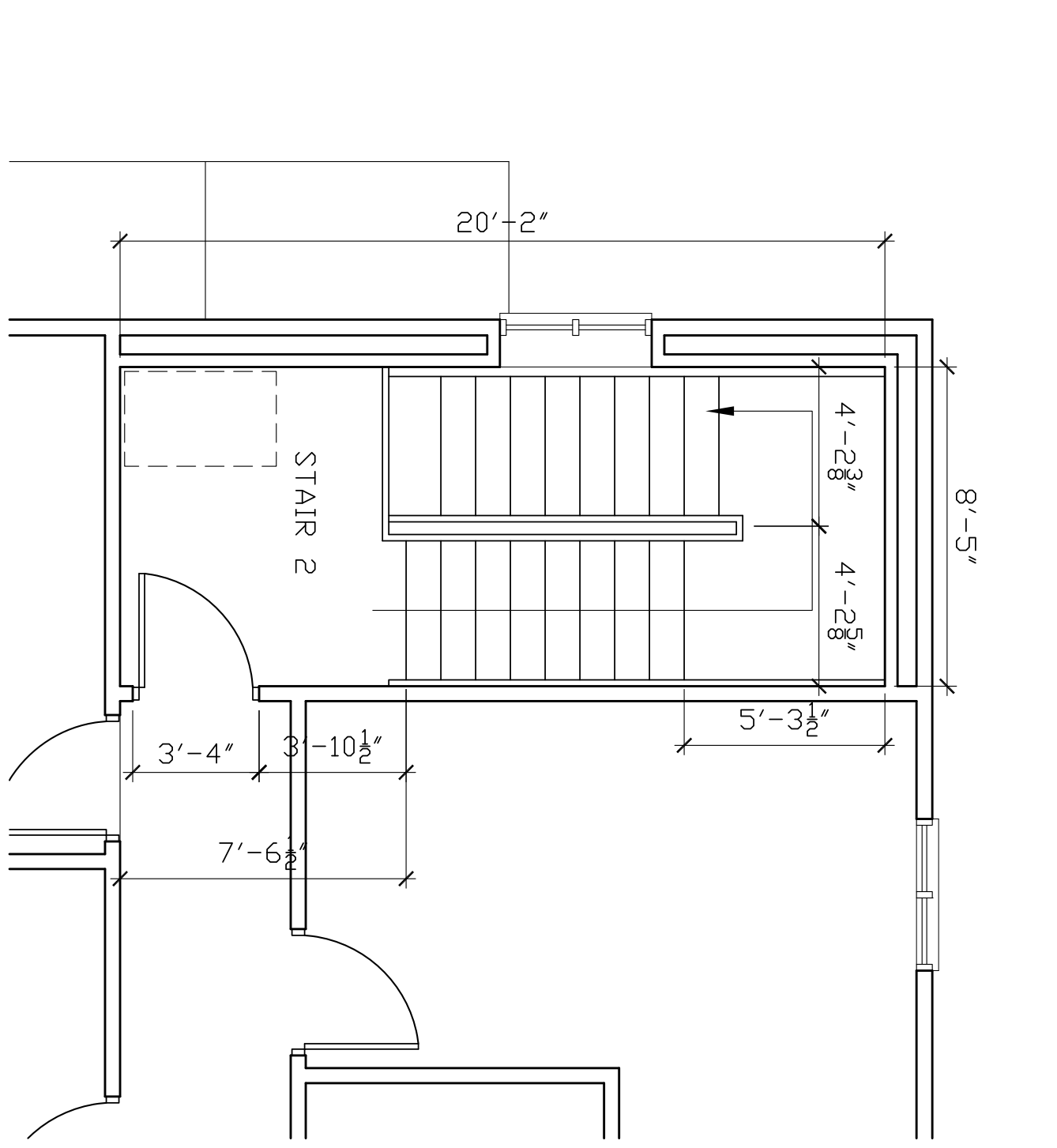
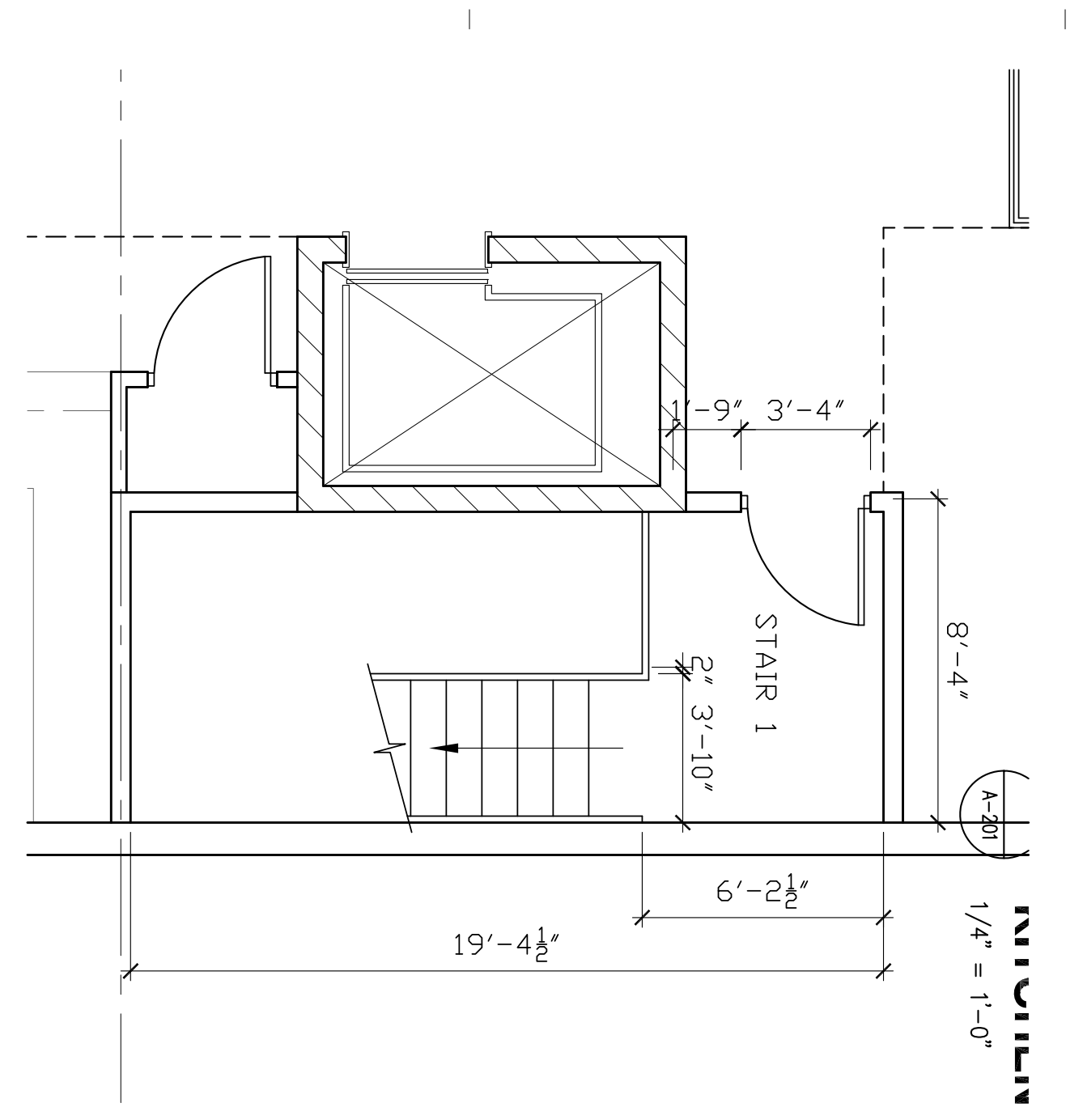
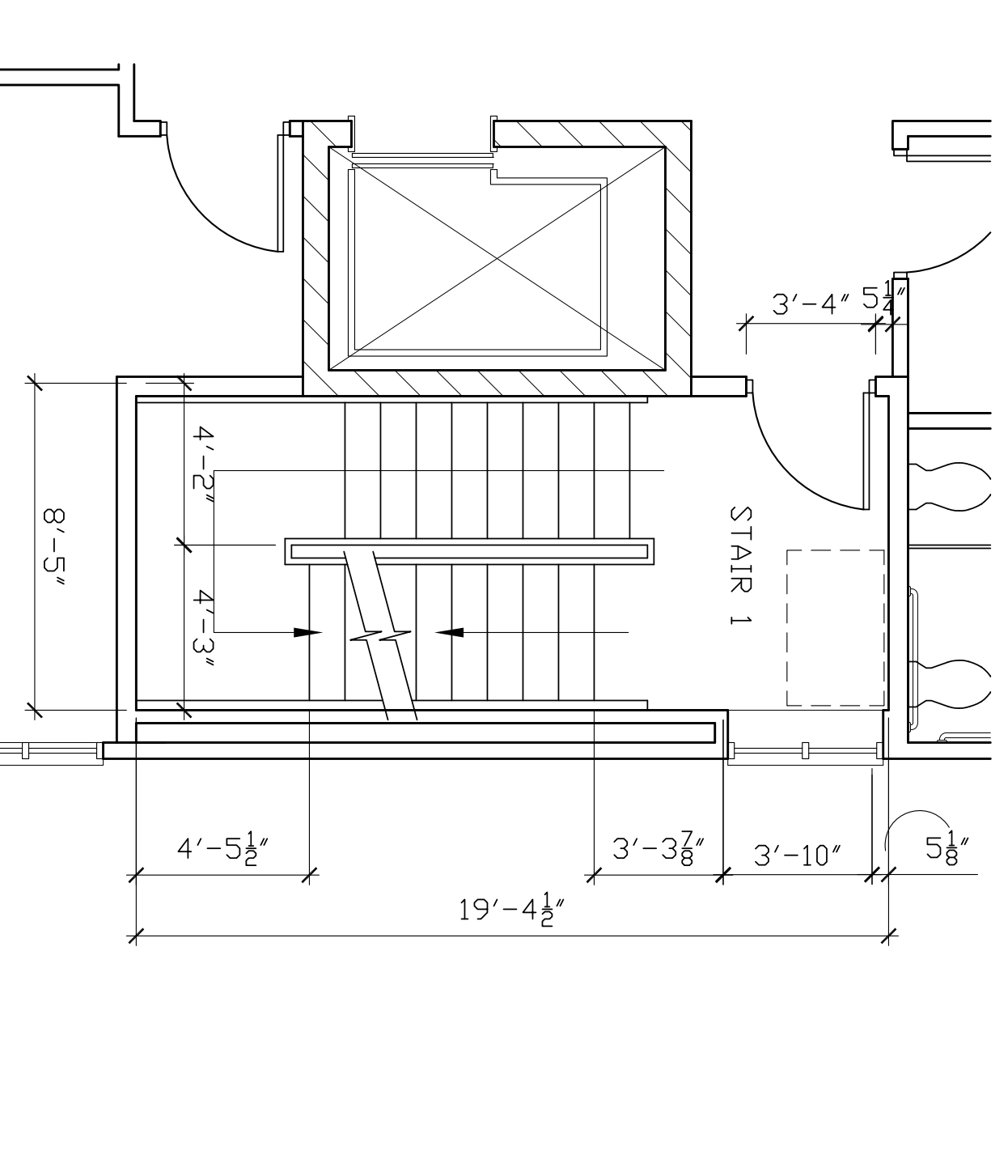
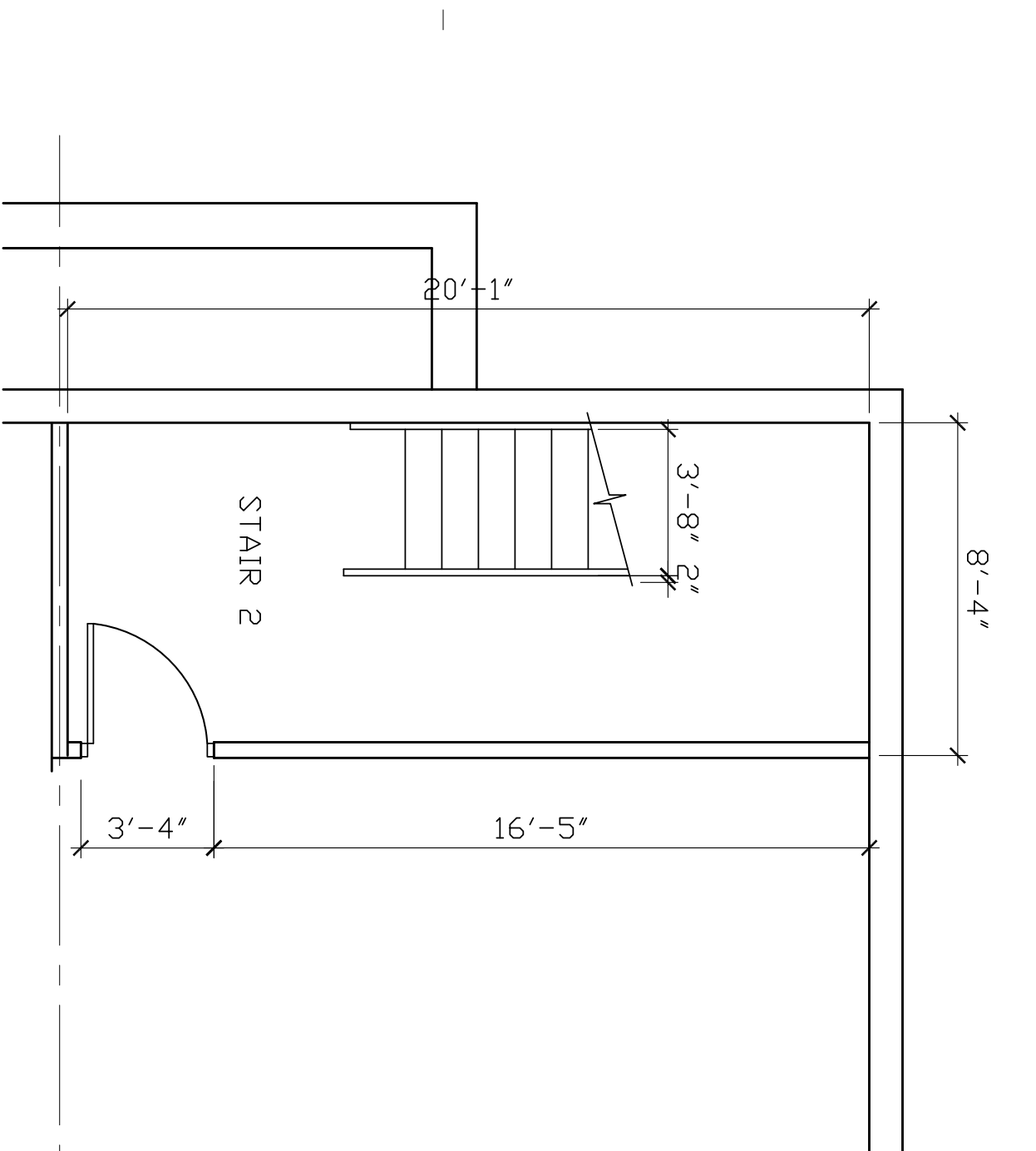
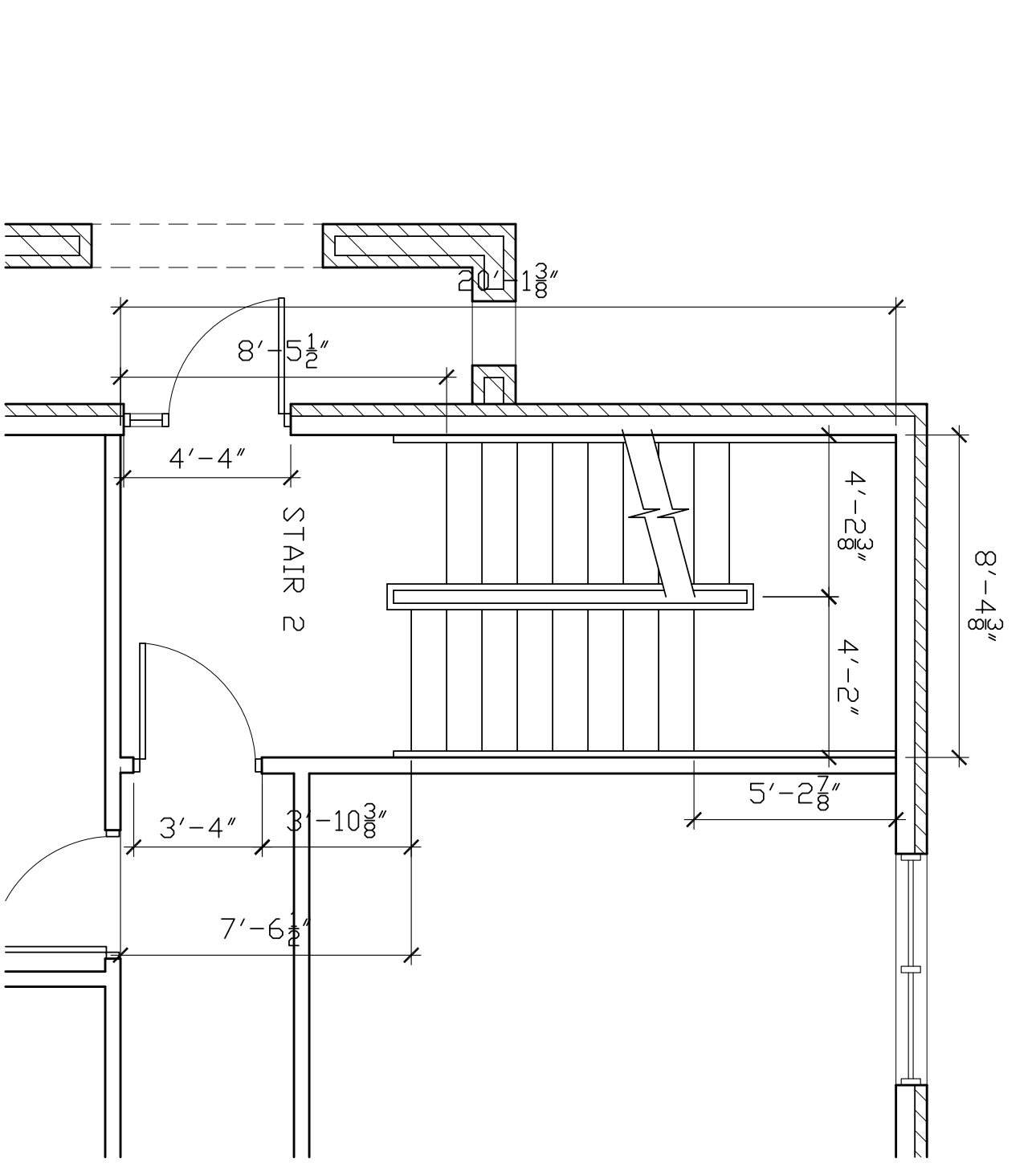
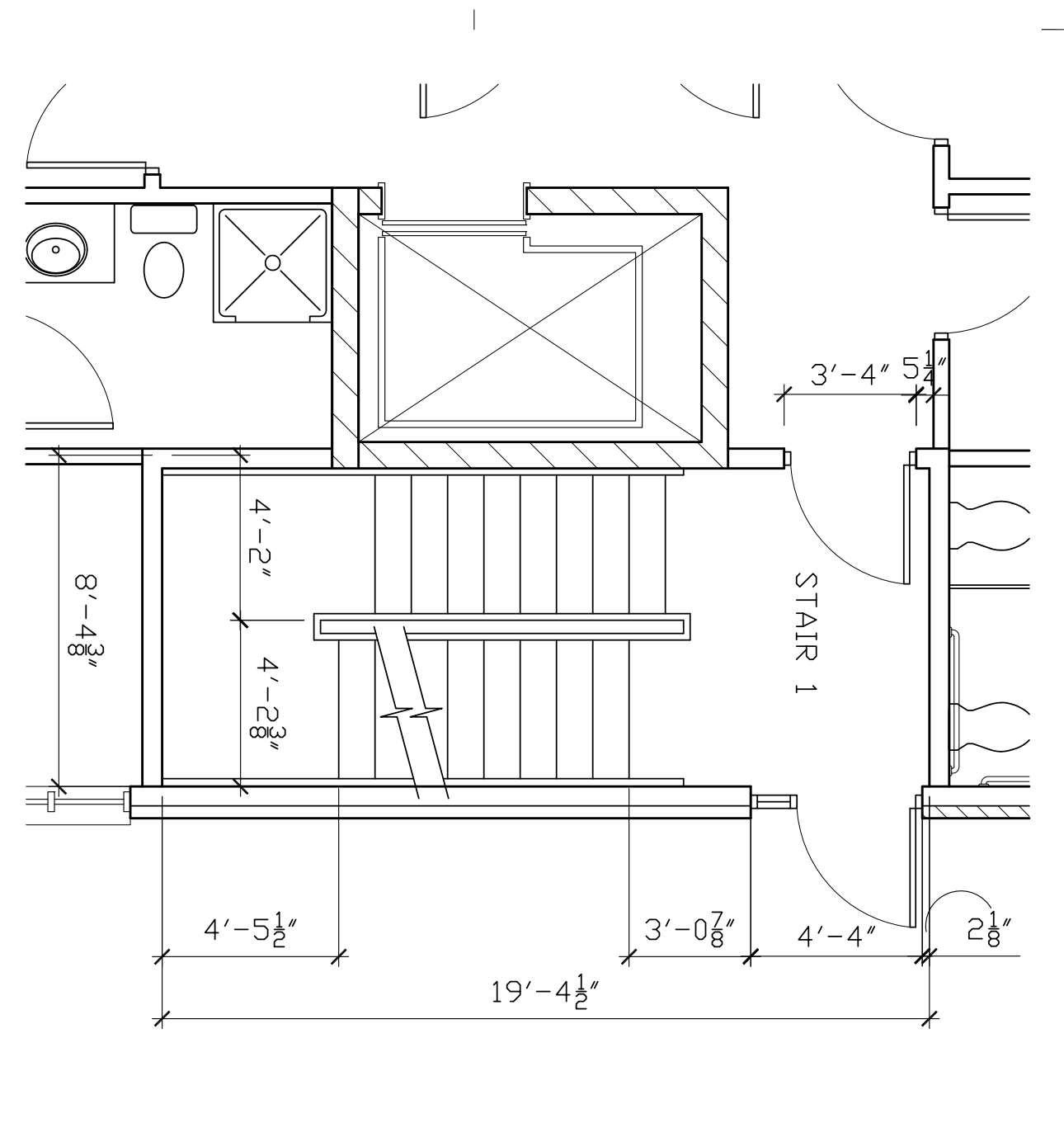
SHEET ISSUE	608909
REISSUE	

CHECKED BY	
APPROVED BY	
PROJECT NO.	07057.000

RATIO
ARCHITECTS, INC.
10 EAST CHESTER STREET
CHAMPAIGN, ILLINOIS 61820
TEL: (217) 352-7833
FAX: (217) 352-7831
WWW.RATIOARCHITECTS.COM

STAIR PLANS

SHEET NUMBER	A-421
--------------	--------------



INTEGRITY